

ELKAY[®]

SPECIFICATIONS

The Island by Elkay Undermount Sink and Sink Package Models ISLAND3828 and ISLAND3828C

GENERAL

Highest quality sink fabricated of #14 (2.0mm) gauge, type 304 (18-8) nickel bearing stainless steel. Comes complete with LK99 deluxe drain.

Model ISLAND3828C Sink Package includes LK7420NK faucet.

DESIGN FEATURES

Bowl Depth: Sloping from 6-1/2" (165mm) to 7-1/2" (191mm).

Coved Corners: 1/4" (6mm) vertical and horizontal radius.

Finish: Exposed surfaces are polished to a lustrous satin finish.

Underside: Fully undercoated to dampen sound and prevent condensation.

OTHER

Drain Opening: 3-1/2" (89mm).

Note: All Elkay undermount sinks are designed to affix easily to the underside of any solid surface countertop.

Installation: See illustrated profile on back side. Support frame (not furnished) is necessary.

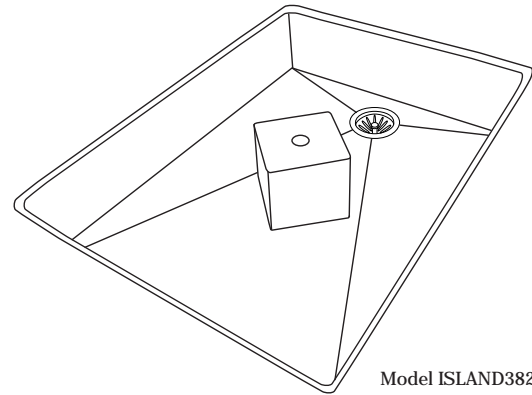
SINK DIMENSIONS*

Model Number	Overall		Inside Bowl			Cutout in Countertop	No. of 1 1/2" (38mm) Dia. Faucet Holes	Minimum Cabinet Size
	L	W	L	W	D			
ISLAND3828	40 1/2" (629mm)	30 1/2" (775mm)	38 (965mm)	28 (711mm)	6 1/2" to 7 1/2" (165mm) (191mm)	See	1	†
ISLAND3828C	40 1/2" (629mm)	30 1/2" (775mm)	38 (965mm)	28 (711mm)	6 1/2" to 7 1/2" (165mm) (191mm)	Template**	1	†

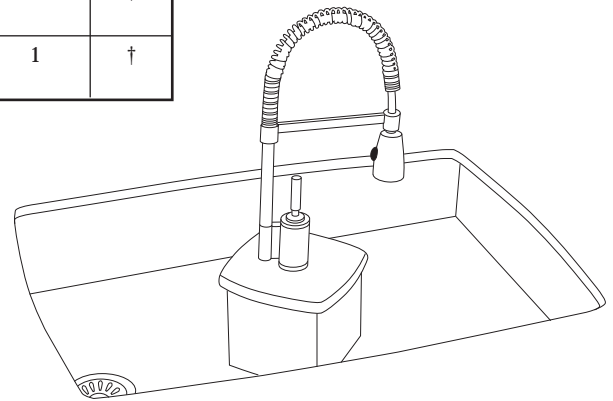
*Length is left to right. Width is front to back.

**Template is packed with every sink. Reference Figure 1.

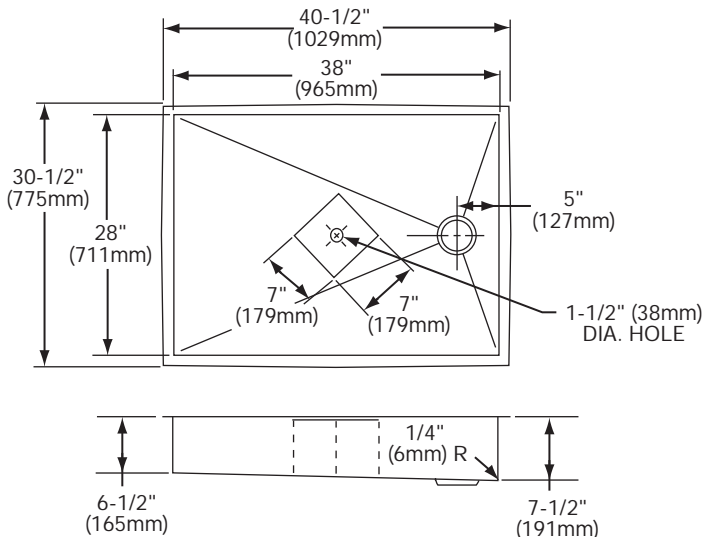
†Due to the size and installation method, a custom cabinet is required. Recommend that installation be accomplished by an experienced and professional installer only.



Model ISLAND3828



Model ISLAND3828C



In keeping with our policy of continuing product improvement, Elkay reserves the right to change product specifications without notice. Please visit elkayusa.com for most current version of Elkay product specification sheets.

This specification describes an Elkay product with design, quality and functional benefits to the user. When making a comparison of other producers' offerings, be certain these features are not overlooked.

FIGURE 1

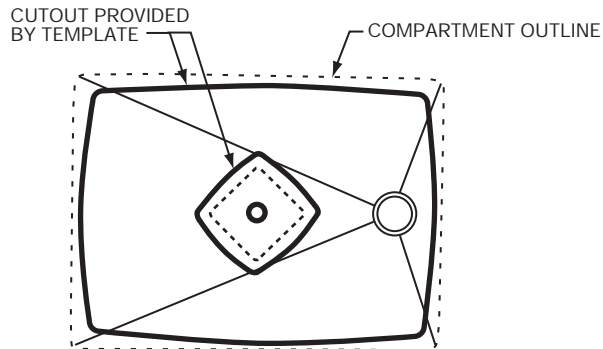


FIGURE 2

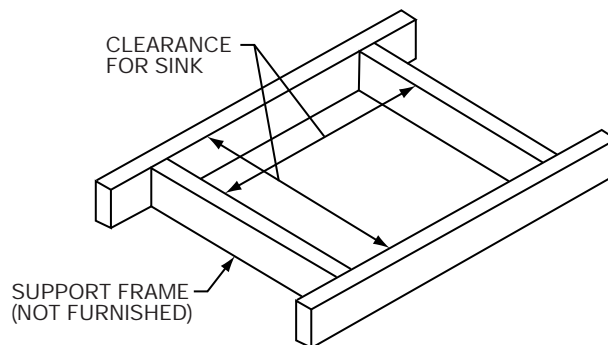


FIGURE 3

