

# ELKAY<sup>®</sup>

## SPECIFICATIONS

### Lustertone<sup>®</sup> Undermount Single Bowl Lavatory Sink Model ELUH1812

#### GENERAL

Highest quality sink bowl seamlessly formed of #18 gauge, type 304 (18-8) nickel bearing stainless steel. Underside of sink is fully protected by heavy duty Sound Guard<sup>®</sup> undercoating.

#### DESIGN FEATURES

Bowl Depth: 5-15/16".

Finish: Exposed surfaces are polished to a non-directional soft satin finish.

Underside: Fully protected by heavy duty Sound Guard<sup>®</sup> undercoating to dampen sound and prevent condensation.

#### OTHER

Drain Opening: 1-1/2", 2-1/4" O.D. at top of countersink. Arranged for standard lavatory type drain fitting.

Overflow: Sink comes with an overflow assembly.

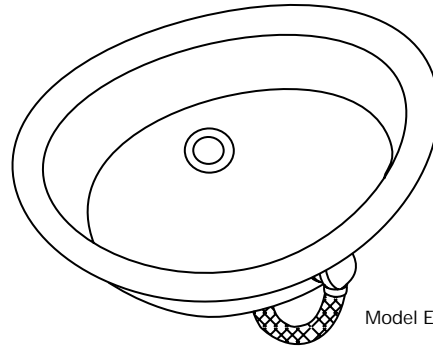
Note: All Elkay custom design undermount sinks are designed to affix easily to the underside of any solid surface countertop.

Installation: See illustrated profile below.

This sink complies with ANSI Standard A112.19.3M.



This sink is listed by the International Association of Plumbing and Mechanical Officials as meeting the requirements of the Uniform Plumbing Code.



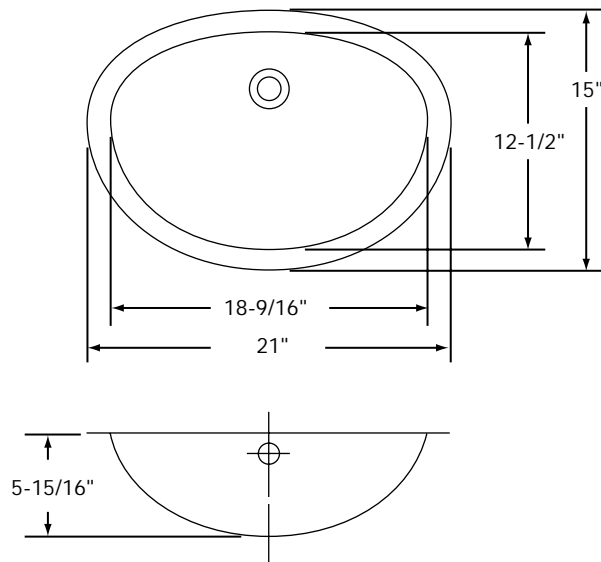
Model ELUH1812

#### SINK DIMENSIONS (INCHES)\*

| Model Number | Overall |    | Inside Bowl                     |                                |                                 | Cutout in Countertop<br>See Template** | Minimum Cabinet Size | Ship. Wt. Lbs. |
|--------------|---------|----|---------------------------------|--------------------------------|---------------------------------|--|----------------------|----------------|
|              | L       | W  | L                               | W                              | D                               |  |                      |                |
| ELUH1812     | 21      | 15 | 18 <sup>9</sup> / <sub>16</sub> | 12 <sup>1</sup> / <sub>2</sub> | 5 <sup>15</sup> / <sub>16</sub> |  | 27                   | 8              |

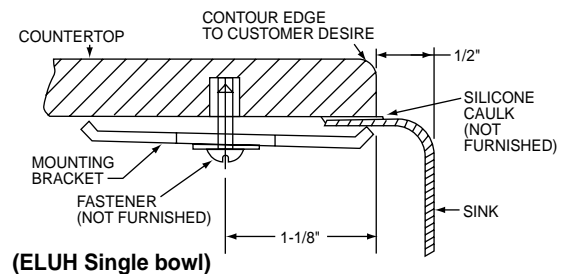
\*Length is left to right. Width is front to back.

\*\*Template and countertop mounting clips are packed with every sink.



Model ELUH1812 Illustrated

**Installation Profile of ELUH Single Bowl Model**  
The template provided with each ELUH sink provides the only type of installation recommended by Elkay.



ALL DIMENSIONS IN INCHES, TO CONVERT TO MILLIMETERS MULTIPLY BY 25.4.

In keeping with our policy of continuing product improvement, Elkay reserves the right to change product specifications without notice.

This specification describes an Elkay product with design, quality and functional benefits to the user. When making a comparison of other producers' offerings, be certain these features are not overlooked.