

ELKAY[®]

SPECIFICATIONS

Gourmet[®] Undermount Double Bowl Sink Models EGUH3221 and EGUH322110 Series

GENERAL

Fine quality sink formed of #18 (1.2mm) gauge, type 304 nickel bearing stainless steel.

DESIGN FEATURES

Bowl Depth: EGUH3221L/R - 8" (203mm) (large bowl), 6-1/16" (154mm) (small bowl); EGUH322110L/R - 10" (254mm) (large bowl), 6-1/16" (154mm) (small bowl).

Finish: Exposed surfaces are polished to a non-directional soft satin finish.

Underside: Fully protected by heavy duty Sound Guard[®] undercoating to dampen sound and prevent condensation.

Aqueduct (recessed partition) allows water to flow to adjacent bowl before overflowing sink.

OTHER

Drain Opening: 3-1/2" (89mm).

Suffix L (left) or R (right) denotes location of the small bowl.

Note: All Elkay undermount sinks are designed to affix to the underside of any solid surface countertop.

These sinks comply with ASME A112.19.3.



These sinks are listed by the International Association of Plumbing and Mechanical Officials as meeting the requirements of the Uniform Plumbing Code.

OPTIONAL ACCESSORIES

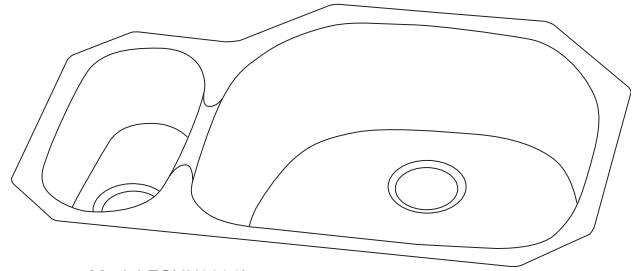
Rinsing Baskets: LKW RB715SS (small bowl), LKW RB2118SS (large bowl), LKW ERBSS (large bowl).

Utensil Caddy for Rinsing Basket: LKWUCSS.

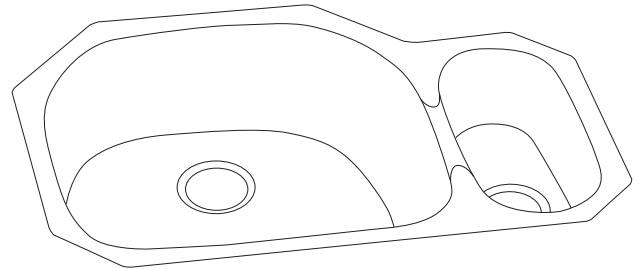
Bottom Grid: LKWOBG2118SS (large bowl).

Cutting Board: CB2213 (large bowl).

Colander: SC1407 (small bowl).



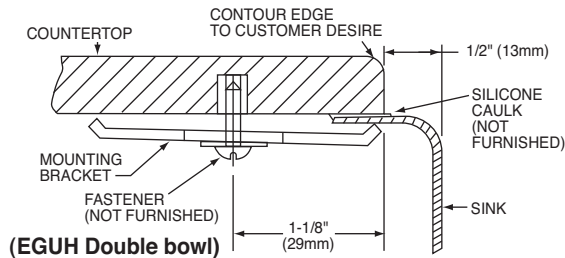
Model EGUH3221L



Model EGUH3221R

Installation Profile of EGUH Double Bowl Models

The template provided with each EGUH sink provides the only type of installation recommended by Elkay.



SEE OTHER SIDE FOR PRODUCT DIMENSIONS.

In keeping with our policy of continuing product improvement, Elkay reserves the right to change product specifications without notice. Please visit elkayusa.com for most current version of Elkay product specification sheets.

This specification describes an Elkay product with design, quality and functional benefits to the user. When making a comparison of other producers' offerings, be certain these features are not overlooked.

Gourmet® Undermount Double Bowl Sink
Models EGUH3221 and EGUH322110 Series

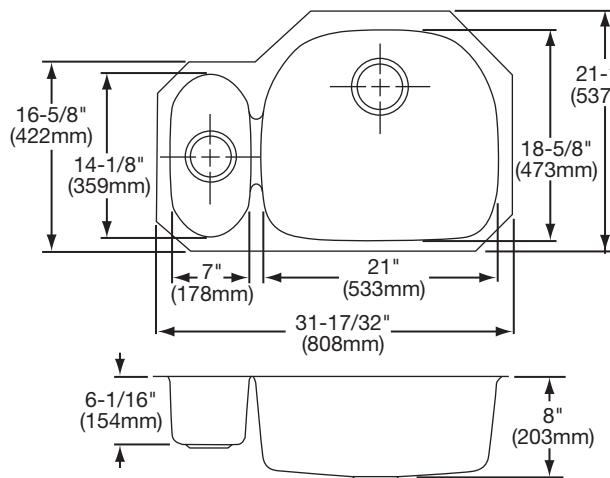
ELKAY®
SPECIFICATIONS

SINK DIMENSIONS*

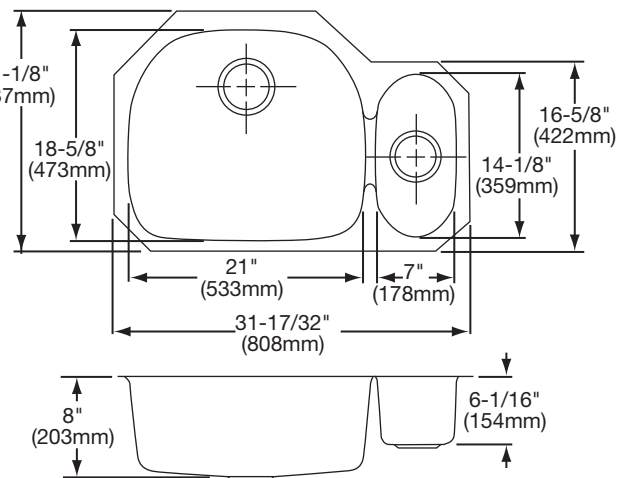
Model Number	Overall		Inside Left Bowl			Inside Right Bowl			Cutout in Countertop	Minimum Cabinet Size
	L	W	L	W	D	L	W	D		
EGUH33221L	31 ^{17/32} " (808mm)	21 ^{1/8} " (537mm)	7 (178mm)	14 ^{1/8} " (359mm)	6 ^{1/16} " (154mm)	21 (533mm)	18 ^{5/8} " (473mm)	8 (203mm)	See Template**	36 (914mm)
EGUH322110L	31 ^{17/32} " (808mm)	21 ^{1/8} " (537mm)	7 (178mm)	14 ^{1/8} " (359mm)	6 ^{1/16} " (154mm)	21 (533mm)	18 ^{5/8} " (473mm)	10 (254mm)		36 (914mm)
EGUH3221R	31 ^{17/32} " (808mm)	21 ^{1/8} " (537mm)	21 (533mm)	18 ^{5/8} " (473mm)	8 (203mm)	7 (178mm)	14 ^{1/8} " (359mm)	6 ^{1/16} " (154mm)		36 (914mm)
EGUH322110R	31 ^{17/32} " (808mm)	21 ^{1/8} " (537mm)	21 (533mm)	18 ^{5/8} " (473mm)	10 (254mm)	7 (178mm)	14 ^{1/8} " (359mm)	6 ^{1/16} " (154mm)		36 (914mm)

*Length is left to right. Width is front to back.

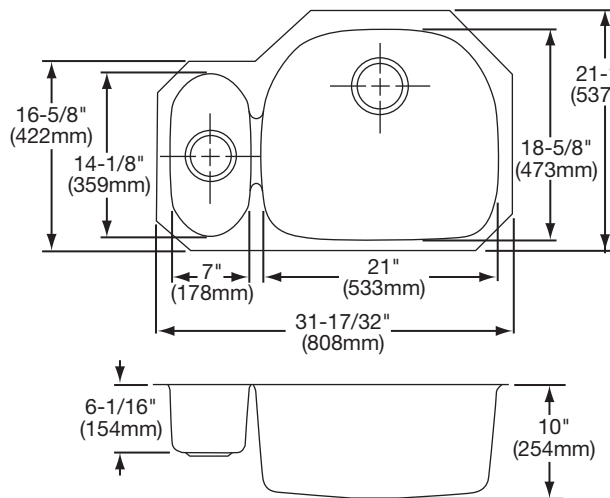
**Template and countertop mounting clips are packed with every sink.



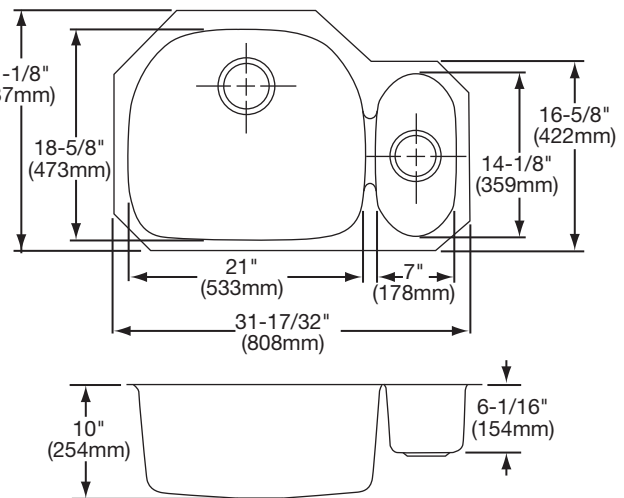
Model EGUH3221L Illustrated



Model EGUH3221R Illustrated



Model EGUH322110L Illustrated



Model EGUH322110R Illustrated