

# ELKAY<sup>®</sup>

## SPECIFICATIONS

### elumina™ by Elkay Undermount Double Bowl Sink Models EGUH3120 and EGUH312010 Series

#### GENERAL

Fine quality sink formed of #18 (1.2mm) gauge, type 304 nickel bearing stainless steel.

#### DESIGN FEATURES

Bowl Depth: 8" (203mm) (EGUH3120L/EGUH3120R); 8" (203mm) small bowl, 10" (254mm) large bowl (EGUH312010L/EGUH312010R).

Finish: Exposed surfaces are polished to a non-directional soft satin finish.

Underside: Sound absorbing pads applied to dampen sound.

Aqueduct (recessed partition) allows water to flow to adjacent bowl before overflowing sink.

#### OTHER

Drain Opening: 3-1/2" (89mm).

Note: All Elkay undermount sinks are designed to affix easily to the underside of any solid surface countertop.

These sinks comply with ASME A112.19.3.



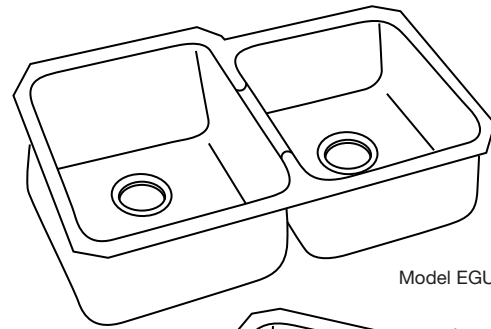
These sinks are listed by the International Association of Plumbing and Mechanical Officials as meeting the requirements of the Uniform Plumbing Code.

#### OPTIONAL ACCESSORIES

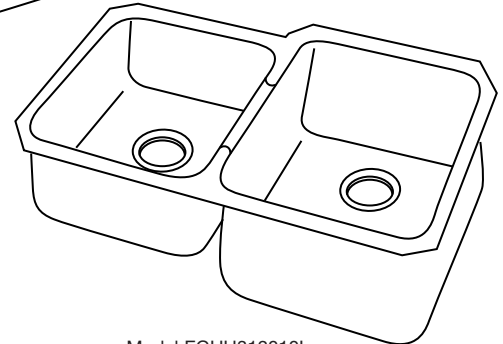
Rinsing Baskets: LKRB1611 (small bowl), LKRB1614 (large bowl) or LKERBSS (either bowl).

Bottom Grid: LKOBG1416 (small bowl).

Cutting Board: CB1516 (small bowl) or CBR1316 (large bowl).



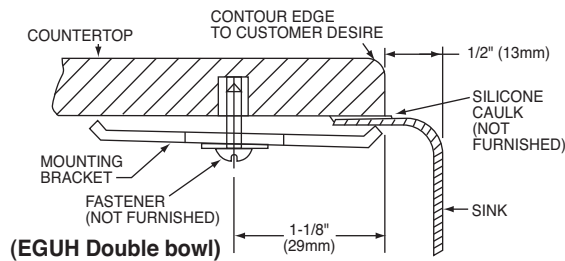
Model EGUH3120R



Model EGUH312010L

#### Installation Profile of EGUH Double Bowl Models

The template provided with each EGUH sink provides the only type of installation recommended by Elkay.



SEE OTHER SIDE FOR PRODUCT DIMENSIONS.

In keeping with our policy of continuing product improvement, Elkay reserves the right to change product specifications without notice. Please visit [elkayusa.com](http://elkayusa.com) for most current version of Elkay product specification sheets.

This specification describes an Elkay product with design, quality and functional benefits to the user. When making a comparison of other producers' offerings, be certain these features are not overlooked.

**elumina™ by Elkay Undermount Double Bowl Sink**  
**Models EGUH3120 and EGUH312010 Series**

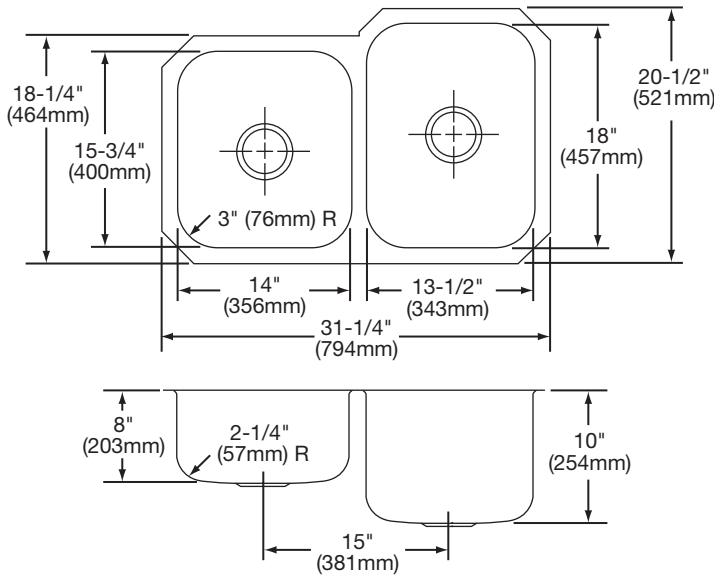
**ELKAY®**  
**SPECIFICATIONS**

**SINK DIMENSIONS\***

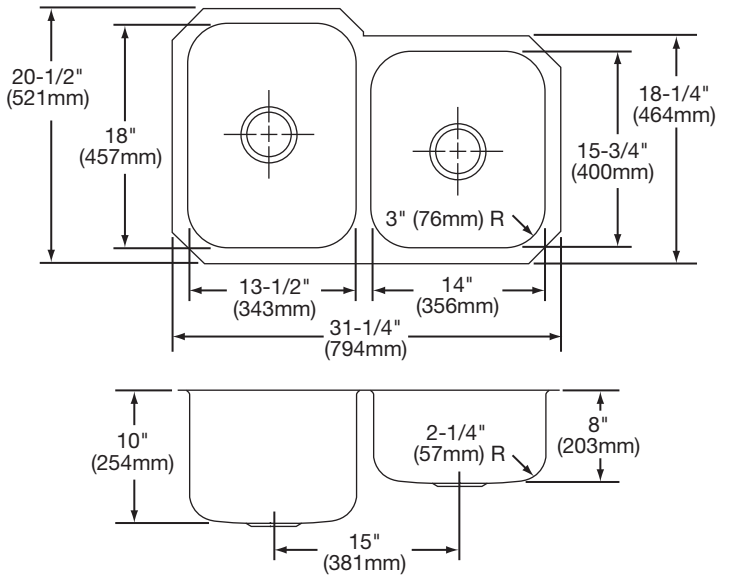
Model Number	Overall		Inside Left Bowl			Inside Right Bowl			Cutout in Countertop	Minimum Cabinet Size
	L	W	L	W	D	L	W	D		
EGUH3120L	31 <sup>1</sup> / <sub>4</sub> (794mm)	20 <sup>1</sup> / <sub>2</sub> (521mm)	14 (356mm)	15 <sup>3</sup> / <sub>4</sub> (400mm)	8 (203mm)	13 <sup>1</sup> / <sub>2</sub> (343mm)	18 (457mm)	8 (203mm)	See Template**	36 (914mm)
EGUH312010L	31 <sup>1</sup> / <sub>4</sub> (794mm)	20 <sup>1</sup> / <sub>2</sub> (521mm)	14 (356mm)	15 <sup>3</sup> / <sub>4</sub> (400mm)	8 (203mm)	13 <sup>1</sup> / <sub>2</sub> (343mm)	18 (457mm)	10 (254mm)		36 (914mm)
EGUH3120R	31 <sup>1</sup> / <sub>4</sub> (794mm)	20 <sup>1</sup> / <sub>2</sub> (521mm)	13 <sup>1</sup> / <sub>2</sub> (343mm)	18 (457mm)	8 (203mm)	14 (356mm)	15 <sup>3</sup> / <sub>4</sub> (400mm)	8 (203mm)		36 (914mm)
EGUH312010R	31 <sup>1</sup> / <sub>4</sub> (794mm)	20 <sup>1</sup> / <sub>2</sub> (521mm)	13 <sup>1</sup> / <sub>2</sub> (343mm)	18 (457mm)	10 (254mm)	14 (356mm)	15 <sup>3</sup> / <sub>4</sub> (400mm)	8 (203mm)		36 (914mm)

\*Length is left to right. Width is front to back.

\*\*Template and countertop mounting clips are packed with every sink.



Model EGUH312010L Illustrated



Model EGUH312010R Illustrated