

# ELKAY<sup>®</sup>

## SPECIFICATIONS

### Asana™ Collection Lavatory Cast Vessel Sink Model ECB16BA

#### GENERAL

Lavatory vessel sink is cast from brass material. Vessel rests on countertop.

#### DESIGN FEATURES

Bowl Depth: 6" (152mm).

Height above countertop: 6-1/2" (165mm).

Finish: Bronze aged finish. Ledge is polished to a bright finish. Each original, hand crafted, cast brass sink is unique in texture, color and finish. Surface features such as pits, pockets and depressions, veining and flow strata and varying color are part of the hand crafting process and essential to the unique individuality that each vessel expresses. Cast brass sinks have a living finish that will develop a natural and desired patina over time and use. See Use and Care Guide for cleaning instructions.

#### OTHER

Integral drain has female threading for standard 1-1/4"(32mm) tailpiece.

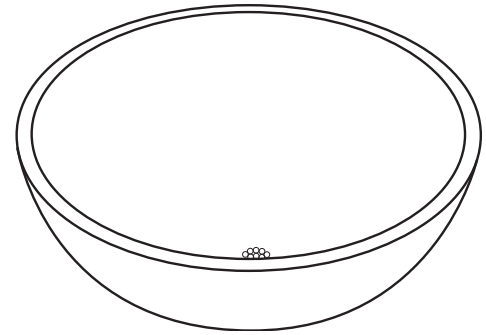
Installation: Rests on the countertop.

See illustrated profile below. Product does not have an overflow. Observe all local installation codes.

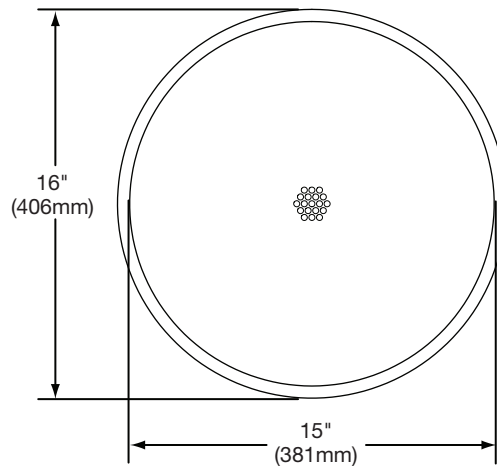
#### SINK DIMENSIONS

Model Number	Overall	Inside Bowl	Depth	Cutout in Countertop	Minimum Cabinet Size
ECB16BA	16" Dia. (406mm)	15" Dia. (381mm)	6" (152mm)	See Template*	21" (533mm)

\*Template and mounting hardware are packed with every sink.

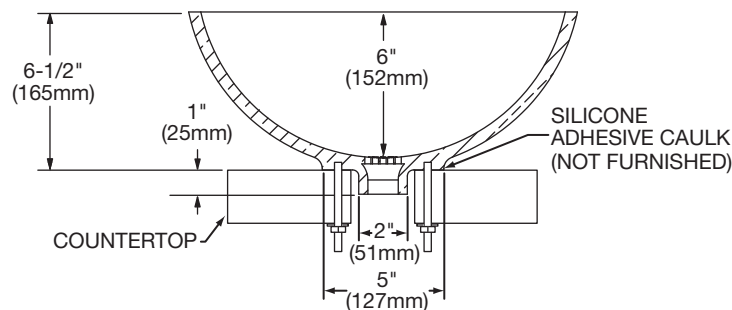


Model ECB16BA



#### Installation Profile of Model ECB16BA

This is the only type of installation recommended by Elkay.



In keeping with our policy of continuing product improvement, Elkay reserves the right to change product specifications without notice. Please visit [elkayusa.com](http://elkayusa.com) for most current version of Elkay product specification sheets.

This specification describes an Elkay product with design, quality and functional benefits to the user. When making a comparison of other producers' offerings, be certain these features are not overlooked.

**Elkay**

[elkayusa.com](http://elkayusa.com)

2222 Camden Court  
Oak Brook, IL 60523

Printed in U.S.A.  
©2008 Elkay

(Rev. 7/08) 1-233A