

# ELKAY<sup>®</sup>

## SPECIFICATIONS

### Elkay Specialty Collection™ Universal Mount Sinks Model SCF16 Series

#### GENERAL

High quality single bowl sink is formed of #18 (1.2mm) gauge copper or type 304 (18-8) nickel bearing stainless steel material. Specialty Collection copper sinks are made from genuine solid, uncoated material and will naturally tarnish. Universal mount sinks can be installed in both drop-in and undermount application. Both types of clips are included.

**SCF16CH** copper with hammered mirror finish

**SCF16CM** copper with mirror finish

**SCF16CS** copper with satin finish

**SCF16SH** stainless steel with hammered mirror finish

**SCF16SM** stainless steel with mirror finish

**SCF16SR** stainless steel with a rugged satin finish

#### DESIGN FEATURES

Bowl Depth: 7" (178mm).

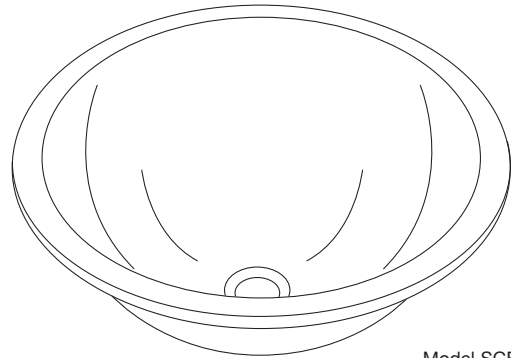
Underside: Sound deadening pads on bottom.

Fastening Method: For drop-in application, utilize clips and attach to threaded stud (see illustration "A" below). For undermount application, utilize undermount clips (see illustration "B" below) – fasteners are not supplied.

#### OTHER

Drain Opening: 1-1/2" (38mm).

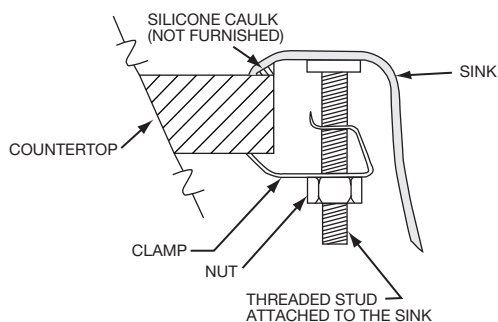
Sink includes overflow assembly with matching face plate.



Model SCF16

#### ILLUSTRATION A

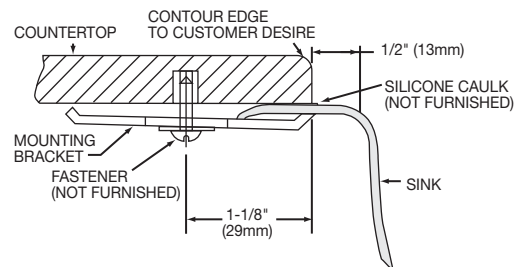
##### Installation Profile for Drop-in Application



#### ILLUSTRATION B

##### Installation Profile for Undermount Application

The template provided with each sink provides the only type of undermount installation recommended by Elkay.



SEE OTHER SIDE FOR PRODUCT DIMENSIONS.

In keeping with our policy of continuing product improvement, Elkay reserves the right to change product specifications without notice. Please visit [elkayusa.com](http://elkayusa.com) for most current version of Elkay product specification sheets.

This specification describes an Elkay product with design, quality and functional benefits to the user. When making a comparison of other producers' offerings, be certain these features are not overlooked.

**Elkay**

[elkayusa.com](http://elkayusa.com)

2222 Camden Court  
Oak Brook, IL 60523

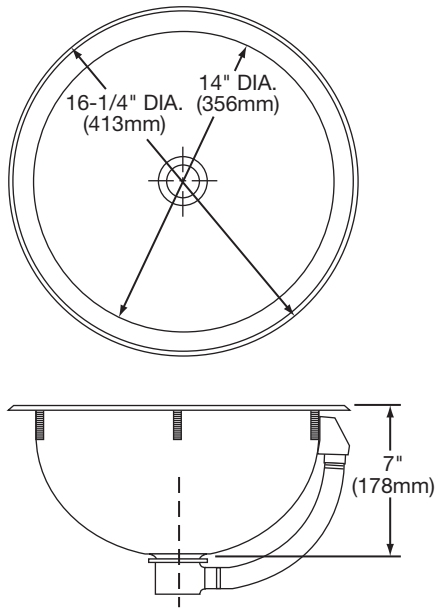
Printed in U.S.A.  
©2008 Elkay

(Rev. 6/08) 1-173C

**SINK DIMENSIONS\***

Model Number	O.D.	I.D.	D	Cutout in Countertop	Minimum Cabinet Size
SCF16CH	16¼ (413mm)	14 (356mm)	7 (178mm)	See Template for undermount application. For drop-in application use sink upside down as template and cut 5/16" (8mm) INSIDE sink outline.	21 (533mm)
SCF16CM	16¼ (413mm)	14 (356mm)	7 (178mm)		21 (533mm)
SCF16CS	16¼ (413mm)	14 (356mm)	7 (178mm)		21 (533mm)
SCF16SH	16¼ (413mm)	14 (356mm)	7 (178mm)		21 (533mm)
SCF16SM	16¼ (413mm)	14 (356mm)	7 (178mm)		21 (533mm)
SCF16SR	16¼ (413mm)	14 (356mm)	7 (178mm)		21 (533mm)

\*Length is left to right. Width is front to back.



Model SCF16